



Catalogue
FOOD SERVICE
Chapter
COOK & CHILL

Specific model

18004317

24/02/2022

The photo may show the standard model and not the configured one

DENOMINATION:

iKORE ovenConcept (digital)PureSteam (boiler) with basic washing for 20 trays GN 1/1 electric heating

DESCRIPTION :

FUNCTIONS:

- 2.8" screen with rotary knob and push function for configuring and confirming inputs
- iClima:
 - . Humidity management and control by means of direct measurement with a humidity sensor
 - . 10% regulation capacity- Fagor Recipe Center
- Fagor Recipe Center:
 - . 100 factory preset and culinary tested recipes
 - . Storage capacity for more than 100 9-stage recipes
- Air and water cool-down (rapid cabinet cooling function)
- Cooking modes: low temperature steam 30-98°, steam 99°, super steam 100- 130°, mixed 30-300° and convection 30-300°
- Chamber dehumidification for crispy roasts
- Delta cooking

PURESTEAM:

- Higher steam saturation in the chamber than an injection oven
 - Pure steam generator with automatic filling function
 - Impurities in the water are deposited in the boiler, facilitating the maintenance of the oven and an impurity-free cooking chamber.
 - Steam generator equipped with limescale detector.
- Automatic and adjustable emptying of the generator every 24 hours of cooking.

- Limescale detection system
- Semi-automatic descaling system
- Guided descaling programme

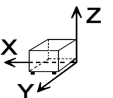
CONTROLS:

- Languages: 5
- Ability to configure screen tone, volume and contrast.
- Tone: 8
- Power, network, language and system settings.
- SAT and Trade fair mode

EQUIPMENT FEATURES:

- Stop/start function
- EZ-Sensor. Internal probe with 4 measuring locations
- Positioning aid for temperature sensor
- Manual steam injection
- Automatic humidification system
- Variable humidification with 5 levels
- 6 programmable air circulation speeds (from 1400 rpm to turbine stop)
- Option to switch from °C to °F
- Display of actual values and selected values
- Delayed programming
- Ability to select 1/2 power
- Automatic humidification system
- Automatic dehumidification system
- Automatic adaptation to the characteristics of the installation site (altitude, etc.) including initial self-testing
- Automatic boiling point adjustment
- Removable fan cover
- Integrated turbine brake for increased safety
- HA-Control (indirect combustion, does not pass through the oven chamber)

DIMENSIONS



X Width	964 mm	X Gross width	1095 mm
Y Depth	930 mm	Y Gross depth	1015 mm
Z Height	1870 mm	Z Gross height	2070 mm
Net Weight	306,0 kg	Gross Weight	358,0 kg
Net volume	1,680 m3	Gross volume	2,301 m3

ELECTRICITY TECHNICAL SPECIFICATIONS

Engine power	1,20 kW
Electric power	37,200 kW
Amperage (A)	0279
Heating power	36,00 kW
Voltage	- 400/230V
Electric frequency	50/60Hz

WATER TECHNICAL SPECIFICATIONS

Pressure	H2O: 200-400kPa(2-4bar)
Water max consumption	40,00 L/h

CONNECTIONS TECHNICAL SPECIFICATIONS

230 V three-phase wiring	3X35MM2+T- 100A
Single-phase 230V wiring	2X70MM2+T-180A
Three-phase +N 400V wiring	3X16MM2 +N+T-63A
Water inlet diameter	3/4"
Drain 1 diameter	40





Catalogue
FOOD SERVICE

Capítulo
COOK & CHILL

Modelo

18004317

24/02/2022

- Auto-reverse system for reversing fan rotation
- Triple-glazed, ventilated cooking chamber door
- Special heat-reflective coating and hinged inner panes for easy cleaning
- LED lighting in the cooking chamber
- HOLD-OPEN DOOR systems (3 locking positions for greater user safety)
- Proximity contact door switch
- Easily replaceable gasket insert
- Interior and outer material: AISI 304 stainless steel (interior mirror polished)

CERTIFICATION AND INSTALLATION SYMBOLS:

- EC declaration of conformity
- EC declaration of gas conformity
- CB safety
- IPX5 protection against splashes and jets of water
- Height adjustable equipment feet (all except 0623)
- Monitor App and maintenance App (self-diagnosis of warnings and errors)
- Logging App:
 - . Cycle history
 - . Error history

WASHING SYSTEM:

- iWashing (environmentally efficient)
- Choice of iWashing Solid or iWashing Liquid smart washing systems
- Washing programmes:
 - . 1 basic cleaning programme (spray)
 - . 3 automatic cleaning programmes
 - . 1 rinsing programme
 - . 1 polishing programme
- Indication of cleaning status and remaining time

OPTIONS :

- BRAND
- CERTIFICATE
- ELECTRIC POWER
- FUSE DENITINION
- HINGING RACK
- IOT
- OPENING DOOR
- SHOWER
- SOUS VIDE
- TROLEY
- WASHING SYSTEM
- WRAS



Catalogue
FOOD SERVICE

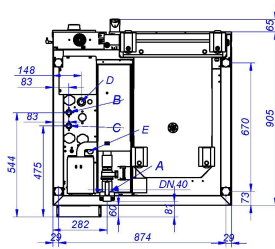
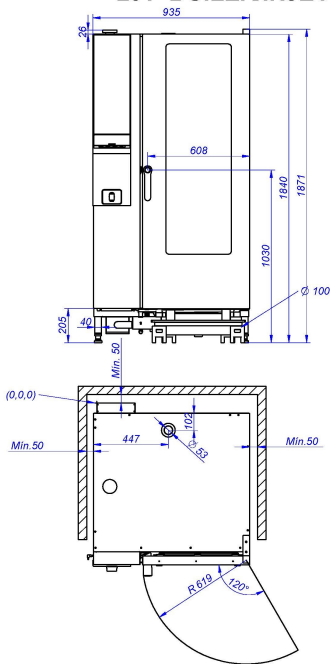
Capítulo
COOK & CHILL

Modelo

18004317

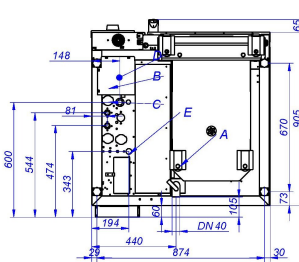
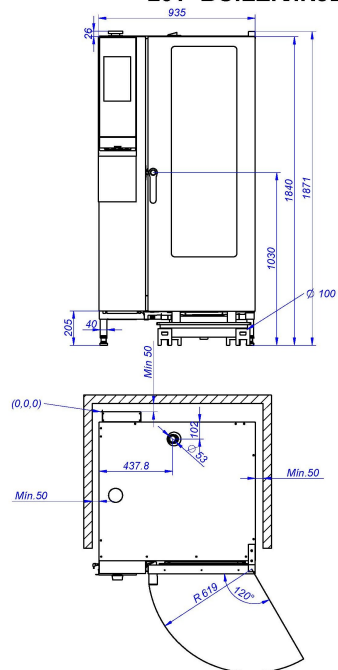
24/02/2022

201- BOILER/INJECTION INTELLIGENT WASHING



- A: DRAIN CONNECTION DN40
- B: SOFT WATER CONNECTION
- C: SOFT WATER CONNECTION/ ONLY MODEL WITH SHOWER
- D: ELECTRICAL SUPPLY
- E: ETHERNET

201- BOILER/INJECTION BASIC WASHING



- A: DRAIN CONNECTION DN40
- B: SOFT WATER CONNECTION
- C: SOFT WATER CONNECTION/ ONLY MODEL WITH SHOWER
- D: ELECTRICAL SUPPLY
- E: ETHERNET

