



**Catalogue**  
FOOD SERVICE  
**Chapter**  
COOKING

**Specific model**  
F-E9121 R 400V 3N 50/60Hz 2C

19075600

11/11/2021

**DENOMINATION:**

Electric fryer, 1 stamped tank of 21 L, 900 range.

**DESCRIPTION :**

- Surface tops manufactured in 2 mm thick AISI-304 stainless steel.
- Laser-cut joints, automatic welding and polishes. Screws hidden from view.
- Tank stamped into the surface top with robotized weld and polish.
- Cold zone in the lower part of the well, which helps to maintain the quality and characteristics of the oil in use for longer.
- Safety thermostat in all models.
- Unloading of oil from the well by means of a robust and reliable ball valve, resistant to high temperatures.
- With individual lids for each well.
- High temperature enamelled cast iron flue protector.
- Access to the components from the front.
- Machines with IPX5 grade water protection.
- Voltage for electric models:
- 400 V 3+N . Ask for other models.
- Thermostatic temperature control between 60 and 200 °C.
- High-power machines which heat up very fast and with a high power:litre ratio.
- Electric models with AISI-304 stainless steel heating elements located inside the well, which can be swivelled by more than 90° for perfect cleaning.

**POSSIBLE OPTIONS :**

- 230 1N- Transformation A 230 V single phase
- 230 III - A 230 V three-phase transformation without neutral
- MARINE - Other machines - Ship transformation - 440 III

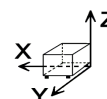
**POSSIBLE ACCESSORIES :**

- FOOD SERVICE
- STANDS 900
- REFRIGERATED STANDS
- ACCESSORIES KORE
- FRYER ACCESSORIES KORE
- KORE WHEELS

**SUPPLIED ACCESSORIES:**

- 12128044 Small basket F9-21 2

**DIMENSIONS**



X Width	400 mm	X Gross width	440 mm
Y Depth	930 mm	Y Gross depth	1022 mm
Z Height	850 mm	Z Gross height	1255 mm
Net Weight	75,0 kg	Gross Weight	90,0 kg
Net volume	0,320 m3	Gross volume	0,564 m3

**ELECTRICITY TECHNICAL SPECIFICATIONS**

Electric power	18,000 kW
Amperage (A)	25A
Heating power	18,00 kW
Voltage	400V - 3N
Electric frequency	50/60Hz

**CONNECTIONS TECHNICAL SPECIFICATIONS**

Three-phase +N 400V wiring	4X4MM2+T
----------------------------	----------

Catalogue  
**FOOD SERVICE**

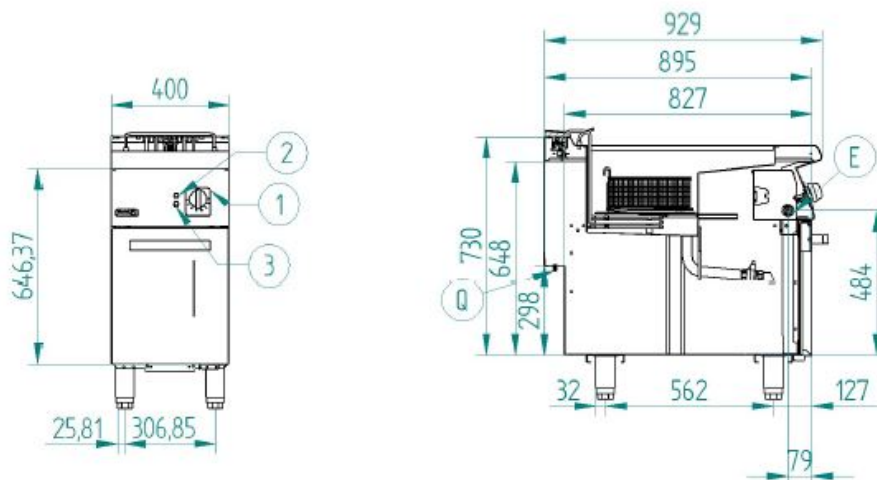
Capítulo  
**COOKING**

Modelo  
**F-E9121 R 400V 3N 50/60Hz 2C**

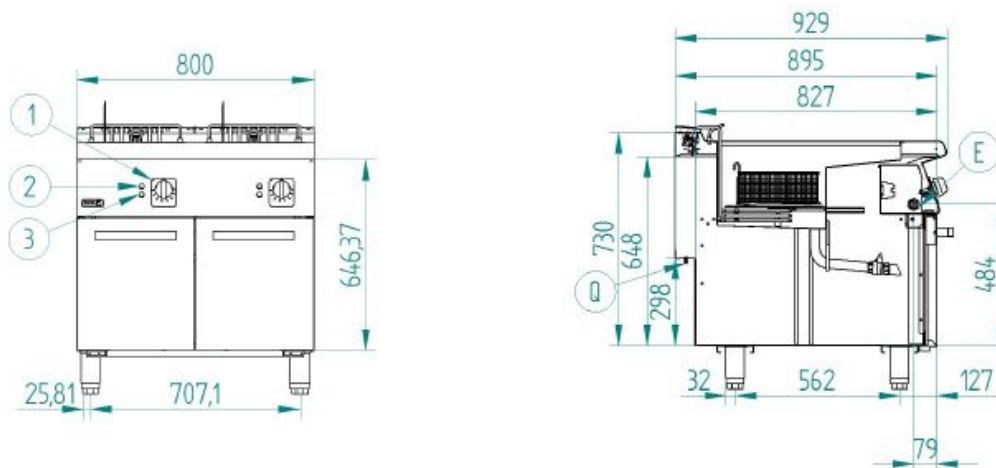
19075600

11/11/2021

**F-E9115 & F-E9121**



**F-E9215 & F-E9221**



E – Conexión eléctrica  
Q – Conexión equipotencial  
1 – Mando termostato  
2 – Piloto verde  
3 – Piloto ambar

Electrical connection  
Equipontecial connection  
Thermostat control  
Green pilot  
Ambar pilot