



**Catalogue**  
FOOD SERVICE  
**Chapter**  
COOK & CHILL

**Specific model**  
SVS-2-410/20 230V 50/60Hz

19075911

21/07/2022

**DENOMINATION:**

Tabletop vacuum packer with 2 horizontal bars of 410 mm and pump capacity of 20m<sup>3</sup>/h.

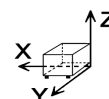
**DESCRIPTION :**

- Vacuum packers with digital controls, controlled by sensor.
- Made of stainless steel, no sharp corners and rounded edges.
- 2 units of high-quality polycarbonate fill sheets.
- High-precision microprocessor which controls the vacuum percentage of the chamber, therefore enabling precise and consistent results at all times, regardless of the type/quantity of the product to be packaged.
- Digital control panel with display included.
- Easily programmable memory for 10 programmes.
- Possibility of performing additional 60" vacuum.
- Possibility of packaging liquids.
- H2Oout programme to dehumidify the pump.
- Programme for external packing both in bags and containers.
- All models include Busch pumps.
- Reed switch for automatic start the vacuum cycle once the lid is closed.
- Lid with gas shock absorbers for smooth opening.
- Piston with two positions: operation and standby. In standby position, the lid is not stressed by the piston, ensuring that it does not become deformed over time.
- Cable-free sealing bars with pneumatic pistons. Their shape ensures a hermetic seal even when using multiple packaging (2-3 bags).
- Protection against possible entry of water into the machine.
- Thanks to the injection of inert gas, the G models make it possible to package delicate or soft products.
- Oil level indicator.
- Audio and visual alarms: vacuum alarm (warning if the configured vacuum level is not reached) and oil change.
- Visualisation of the complete machine cycles.
- Tilting opening system which enable easy access to all parts for maintenance.
- Internal electronic cards, protected with hermetic casing (waterproof and flame retardant).
- Easy to replace teflon of the sealing bar."

**POSSIBLE ACCESSORIES :**

- ACCESSORIES
- LIQUID PACKAGING
- EMPTY INTO CONTAINERS

**DIMENSIONS**



X Width	535 mm	X Gross width	700 mm
Y Depth	598 mm	Y Gross depth	700 mm
Z Height	436 mm	Z Gross height	740 mm
Net Weight	59,0 kg	Gross Weight	68,0 kg
Net volume	0,139 m <sup>3</sup>	Gross volume	0,363 m <sup>3</sup>

**ELECTRICITY TECHNICAL SPECIFICATIONS**

Electric power	1,000 kW
Voltage	220-240V - 1N
Electric frequency	50/60Hz

**OTHERS**

Noise level	64,00 dB
-------------	----------



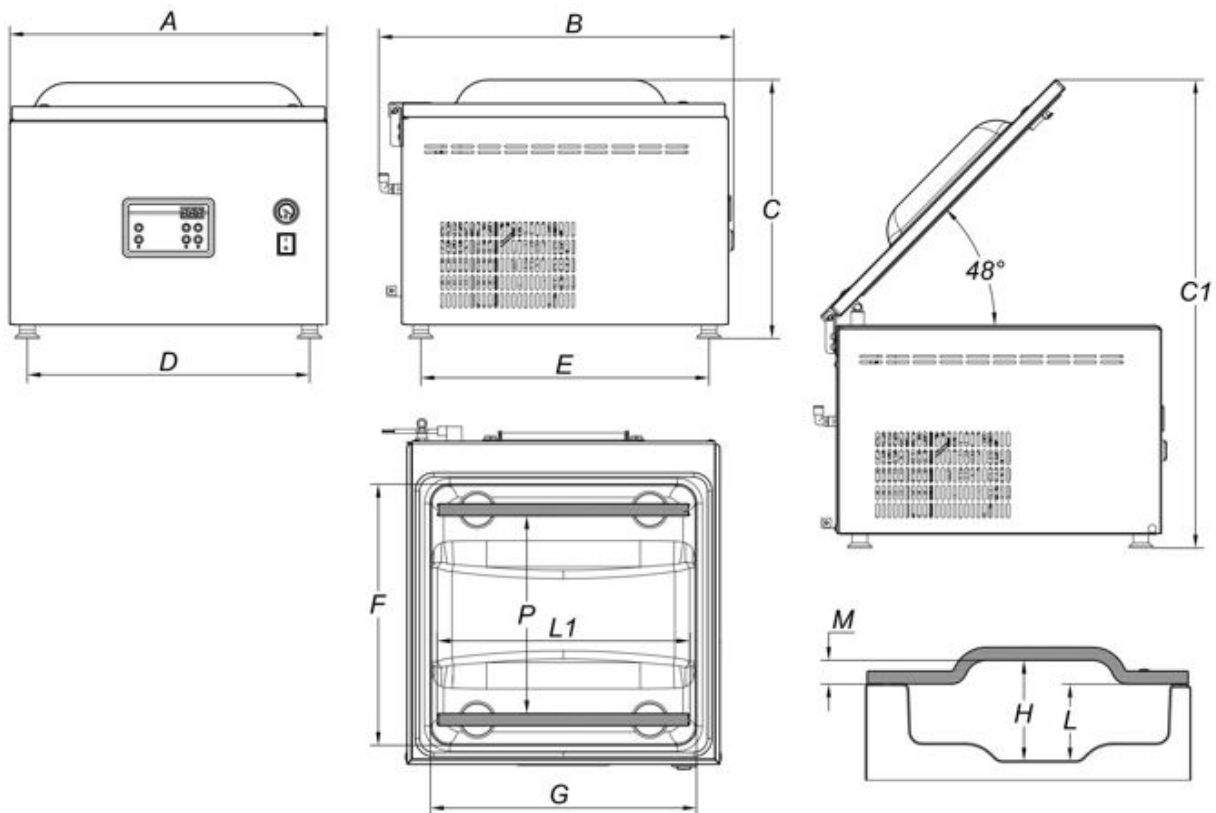


**Catalogue**  
FOOD SERVICE  
**Chapter**  
COOK & CHILL

**Specific model**  
SVS-2-410/20 230V 50/60Hz

19075911

21/07/2022



## SPECIFICATIONS

N. welding bars / N. de barras	Nº 2
Bar length L1 / Longitud barra L1	mm 410
Chamber Size (FxGxH) / Tamaño cámara (FxGxH)	mm 440x448x170
Useful space Chamber (P) / Espacio útil cámara (P)	mm 334
Chamber depth (L) / Profundidad cámara (L)	mm 130
Chamber volume / Volumen cámara	Lt 29,5
Overall dimensions (AxBxC) / Dimensiones generales (AxBxC)	mm 535x598x436
Maximum height with open lid (C1) / Máx. altura tapa abierta (C1)	mm 790
Distance between supports (DxE) / Distancia entre soportes	mm 476x485
Weight (with shelves) / Peso (con planchas)	kg 59 (1B) / 63 (2B)
Noise level / Nivel ruido	dB(A) 64
Environmental operating temperature (min-max) / Temperatura ambiental trabajo (min-máx)	°C 12-40