



**Catalogue**  
FOOD SERVICE  
**Chapter**  
COOK & CHILL

**Specific model**  
SVP-2-620/63 400V 50/60Hz 3Ph PE

19074280

21/07/2022

**DENOMINATION:**

Vacuum packer with 2 horizontal bars of 620 mm and pump capacity of 63 m3/h.

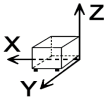
**DESCRIPTION :**

- Vacuum packers with digital controls, controlled by sensor.
- Made of stainless steel, no sharp corners and rounded edges.
- 2 units of high-quality polycarbonate fill sheets.
- High-precision microprocessor which controls the vacuum percentage of the chamber, therefore enabling precise and consistent results at all times, regardless of the type/quantity of the product to be packaged.
- Digital control panel with display included.
- Easily programmable memory for 10 programmes.
- Possibility of performing additional 60" vacuum.
- Possibility of packaging liquids.
- H2Oout programme to dehumidify the pump.
- Programme for external packing both in bags and containers.
- All models include Busch pumps.
- Reed switch for automatic start the vacuum cycle once the lid is closed.
- Lid with gas shock absorbers for smooth opening.
- Piston with two positions: operation and standby. In standby position, the lid is not stressed by the piston, ensuring that it does not become deformed over time.
- Cable-free sealing bars with pneumatic pistons. Their shape ensures a hermetic seal even when using multiple packaging (2-3 bags).
- Protection against possible entry of water into the machine.
- Thanks to the injection of inert gas, the G models make it possible to package delicate or soft products.
- Oil level indicator.
- Audio and visual alarms: vacuum alarm (warning if the configured vacuum level is not reached) and oil change.
- Visualisation of the complete machine cycles.
- Tilting opening system which enable easy access to all parts for maintenance.
- Internal electronic cards, protected with hermetic casing (waterproof and flame retardant).
- Easy to replace teflon of the sealing bar."

**POSSIBLE ACCESSORIES :**

- ACCESSORIES
- LIQUID PACKAGING
- EMPTY INTO CONTAINERS

**DIMENSIONS**



X Width	772 mm	X Gross width	890 mm
Y Depth	682 mm	Y Gross depth	960 mm
Z Height	1034 mm	Z Gross height	1330 mm
Net Weight	168,5 kg	Gross Weight	220,0 kg
Net volume	0,544 m3	Gross volume	1,136 m3

**ELECTRICITY TECHNICAL SPECIFICATIONS**

Electric power	1,500 kW
Voltage	400V - 3N
Electric frequency	50/60Hz

**OTHERS**

Noise level	66,00 dB
-------------	----------



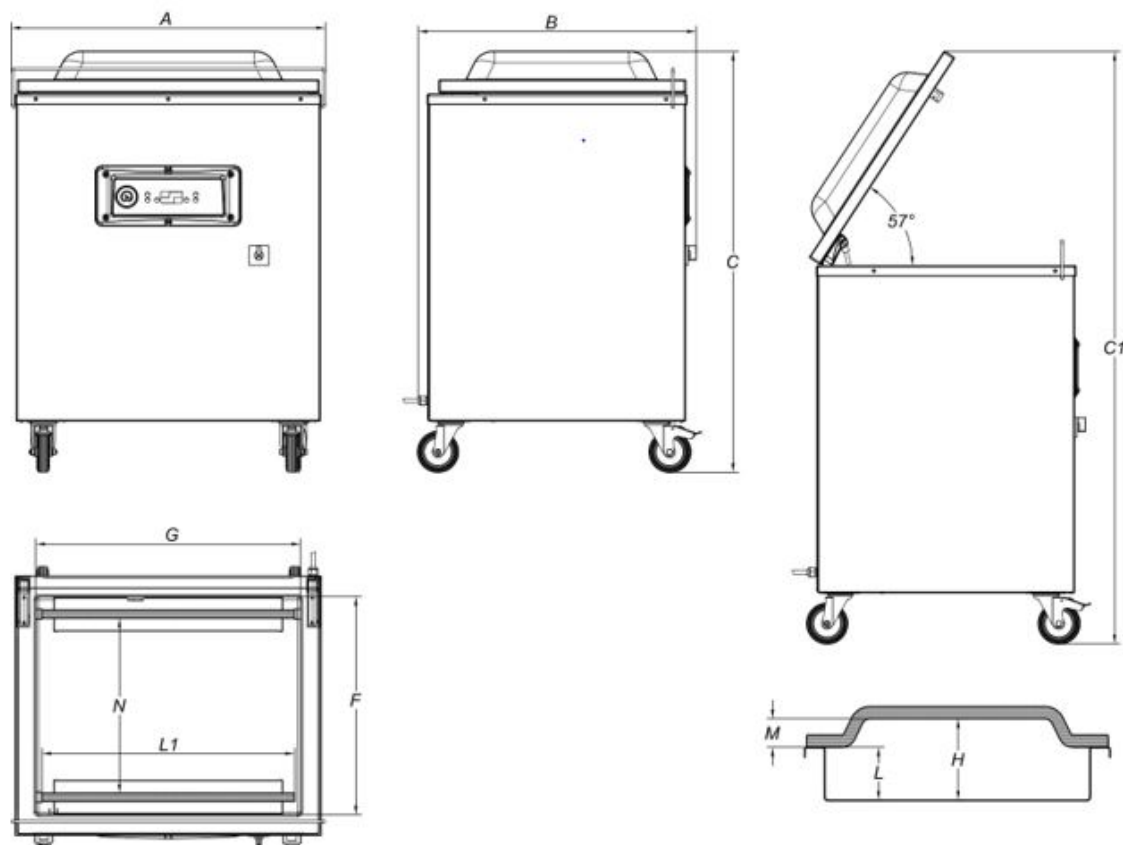


**Catalogue**  
FOOD SERVICE  
**Chapter**  
COOK & CHILL

**Specific model**  
SVP-2-620/63 400V 50/60Hz 3Ph PE

19074280

21/07/2022



## SPECIFICATIONS

N. welding bars / N. de barras	Nº	2
Bar length L1 / Longitud barra L1	mm	620
Chamber Size (FxGxH) / Tamaño cámara (FxGxH)	mm	536x650x200
Useful space Chamber (N) / Espacio útil cámara (N)	mm	430
Chamber depth (L) / Profundidad cámara (L)	mm	130
Chamber volume / Volumen cámara	Lt	61
Overall dimensions (AxBxC) / Dimensiones generales (AxBxC)	mm	772x682x1034
Maximum height with open lid (C1) / Máx. altura tapa abierta (C1)	mm	1455
Weight (with shelves) Peso (con planchas)	kg	168,5
Noise level / Nivel ruido	dB(A)	66
Environmental operating temperature (min-max) / Temperatura ambiental trabajo (min-máx)	°C	12-40