

**Catalogue**  
FOOD SERVICE  
**Chapter**  
COOKING

**Specific model**  
C-E720 400V 3N 50/60Hz

19068321

18/11/2021

**DENOMINATION:**

Countertop electric cooker, 2 rounded plates, 700 range.

**DESCRIPTION :**

"- Pressed surface tops manufactured in 1.5 mm thick AISI-304 stainless steel, with rounded edges, designed to prevent spilled liquid from pans from entering the interior of the oven.

- Stamped surface top with rounded corners for easy cleaning.
- Laser-cut joints and automatic welding. Hidden screws.
- Cast iron hot plates,
- Power regulation via selector with 7 positions.
- Protection against overheating for each plate.
- High-temperature enamelled cast iron flue protector.
- Access to components from the front.
- Easy connection and compliant with health standards.
- Machines with IPX5 grade water protection.

-Cast iron round hot plates, 223 Ø (2.6 kW), hermetically fixed to the stamped surface top.

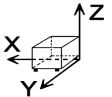
**POSSIBLE OPTIONS :**

- 230 1N- Transformation A 230 V single phase
- 230 III - A 230 V three-phase transformation without neutral
- MARINE - Other machines - Ship transformation - 440 III

**POSSIBLE ACCESSORIES :**

- REFRIGERATED STANDS
- ACCESSORIES KORE
- STANDS 700
- COOKER ACCESSORIES KORE
- KORE WHEELS
- TALL CHIMNEY KORE

**DIMENSIONS**



X Width	400 mm	X Gross width	440 mm
Y Depth	730 mm	Y Gross depth	822 mm
Z Height	290 mm	Z Gross height	535 mm
Net Weight	20,0 kg	Gross Weight	33,0 kg
Net volume	0,080 m3	Gross volume	0,193 m3

**ELECTRICITY TECHNICAL SPECIFICATIONS**

Electric power	5,200 kW
Amperage (A)	7,5A
Heating power	5,20 kW
Voltage	400V - 3N
Electric frequency	50/60Hz

**CONNECTIONS TECHNICAL SPECIFICATIONS**

230 V three-phase wiring	3X2,5MM2+T
Single-phase 230V wiring	2X4MM2+T
Three-phase +N 400V wiring	3X1,5MM2+T+N

Catalogue  
**FOOD SERVICE**

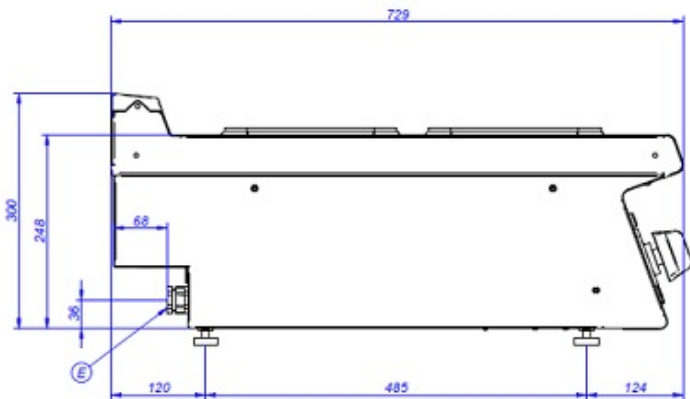
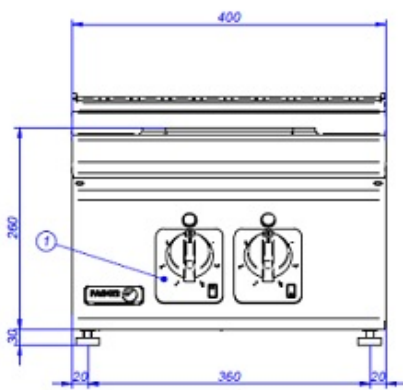
Capítulo  
**COOKING**

Modelo  
**C-E720 400V 3N 50/60Hz**

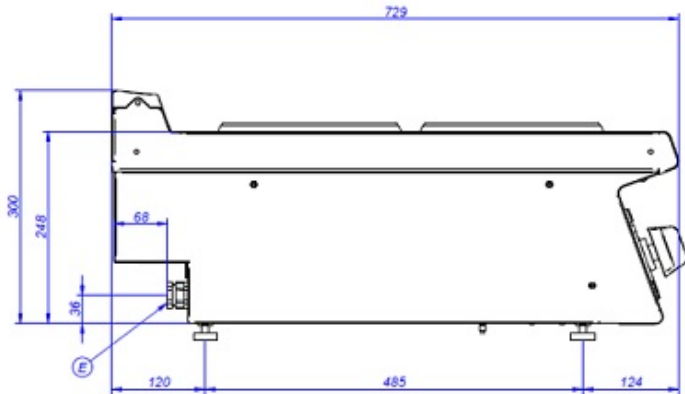
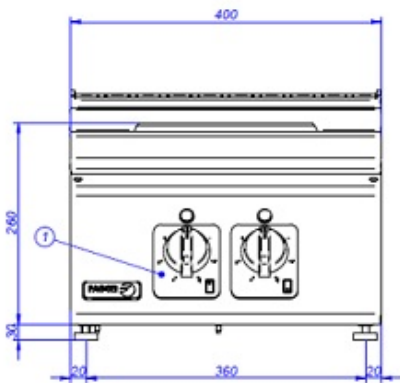
19068321

18/11/2021

**C-E720 Q**



**C-E720**



**E. Conexión eléctrica**  
**1. Mando placas M**

**Electrical connection**  
**M plates control**