



Catalogue
FOOD SERVICE
Chapter
COOKING

Specific model
FT-E605 C L 380-415V 3N

19080764

02/12/2021

DENOMINATION:

Electric frytop with thermostatic temperature control, chrome surface smooth hot-plate, half module, 600 range.

DESCRIPTION :

FOOD SERVICE

"- Made of stainless steel.

- Removable grease-collector drawer."

- Smooth hot-plate.

- 50 microns thickness chromium coated steel sheeting hot-plate.

- Shielded resistors with pilots to indicate machine connected and machine warming up.

- Model with chromium plate and thermostat (120 °C - 310 °C)

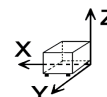
POSSIBLE ACCESSORIES :

- STANDS 600

- SUPPORTS 600

- ACCESSORIES 600

DIMENSIONS



X Width	400 mm	X Gross width	455 mm
Y Depth	650 mm	Y Gross depth	720 mm
Z Height	445 mm	Z Gross height	600 mm
Net Weight	40,0 kg	Gross Weight	45,0 kg
Net volume	0,077 m ³	Gross volume	0,197 m ³

ELECTRICITY TECHNICAL SPECIFICATIONS

Electric power	4,500 kW
Amperage (A)	9 A
Heating power	4,80 kW
Voltage	380-415V - 3N
Electric frequency	50/60Hz

CONNECTIONS TECHNICAL SPECIFICATIONS

230 V three-phase wiring	3X1,5+T - 16 A
Single-phase 230V wiring	2X2,5+T - 25 A
Three-phase +N 400V wiring	4X1,5+T - 10 A



Catalogue
FOOD SERVICE

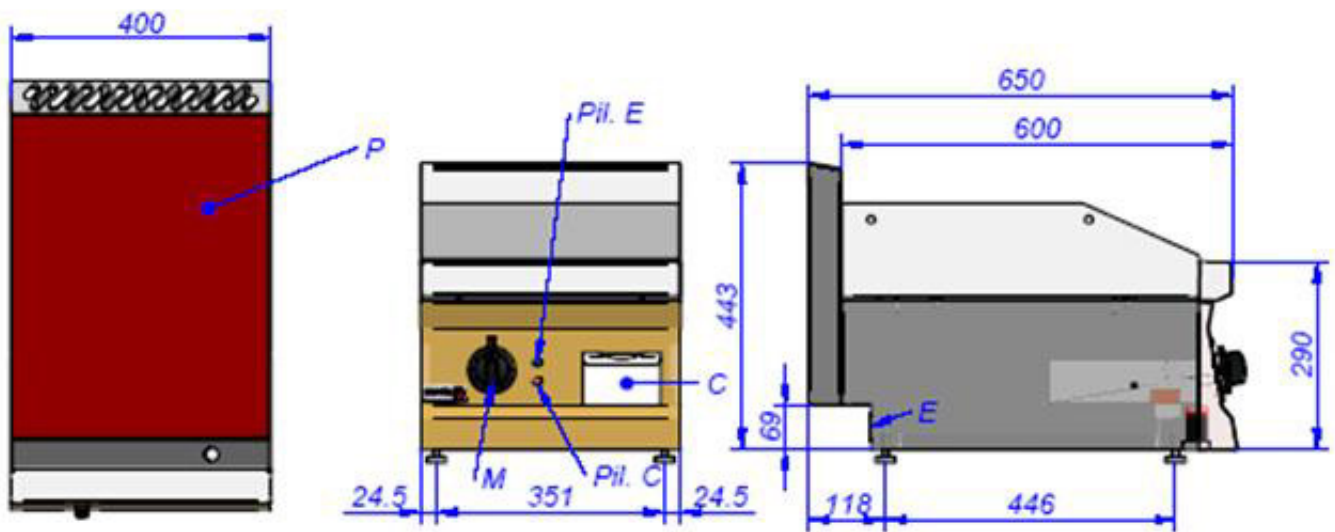
Capítulo
COOKING

Modelo
FT-E605 C L 380-415V 3N

19080764

02/12/2021

FTE6-05 I, FTE6-05R, FTE/C6-05L



*E: Conexión Eléctrica
M: Mando de termostato
Pil. E: Piloto calentamiento
Pil. C: Piloto Conexión
C: Caja Recogegrasas
P: Plancha de asado*

*E: Connetion Electric
M: Thermostat control
Pil. E: Pilot Heating
Pil. C: Pilot Connection
C: Grease Collector Tray
P: Grill Plate*