



Catalogue
FOOD SERVICE
Chapter
COOKING

Specific model
F-E6108 380-415V 3N 1C

19080734

02/12/2021

DENOMINATION:

Electric fryer, 1 tank of 8 L, 600 range.

DESCRIPTION :

FOOD SERVICE

"- Well stamped in stainless steel integrated into the stainless steel surface top.

- Thermostatic temperature control between 60 and 200 °C.

- Safety thermostat.

- Lever tap to empty the well located in the control panel.

- Basket dimensions:

200 x 250 x 100 mm.

- Built-in well cover.

- Controls with a protective support base and system to prevent water infiltration."

-Capacity: 1 barrel of 8 litres of oil.

"- Swivelling heating element making it easier to clean inside the well."

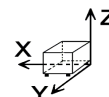
POSSIBLE ACCESSORIES :

- STANDS 600

- SUPPORTS 600

- ACCESSORIES 600

DIMENSIONS



X Width	400 mm	X Gross width	455 mm
Y Depth	650 mm	Y Gross depth	720 mm
Z Height	445 mm	Z Gross height	600 mm
Net Weight	30,0 kg	Gross Weight	31,0 kg
Net volume	0,080 m3	Gross volume	0,197 m3

ELECTRICITY TECHNICAL SPECIFICATIONS

Electric power	6,000 kW
Amperage (A)	11 A
Heating power	6,00 kW
Voltage	380-415V - 3N
Electric frequency	50/60Hz

CONNECTIONS TECHNICAL SPECIFICATIONS

230 V three-phase wiring	3X16+T - 40 A
Single-phase 230V wiring	2X16+T - 80 A
Three-phase +N 400V wiring	4X2,66+T - 25 A



Catalogue
FOOD SERVICE

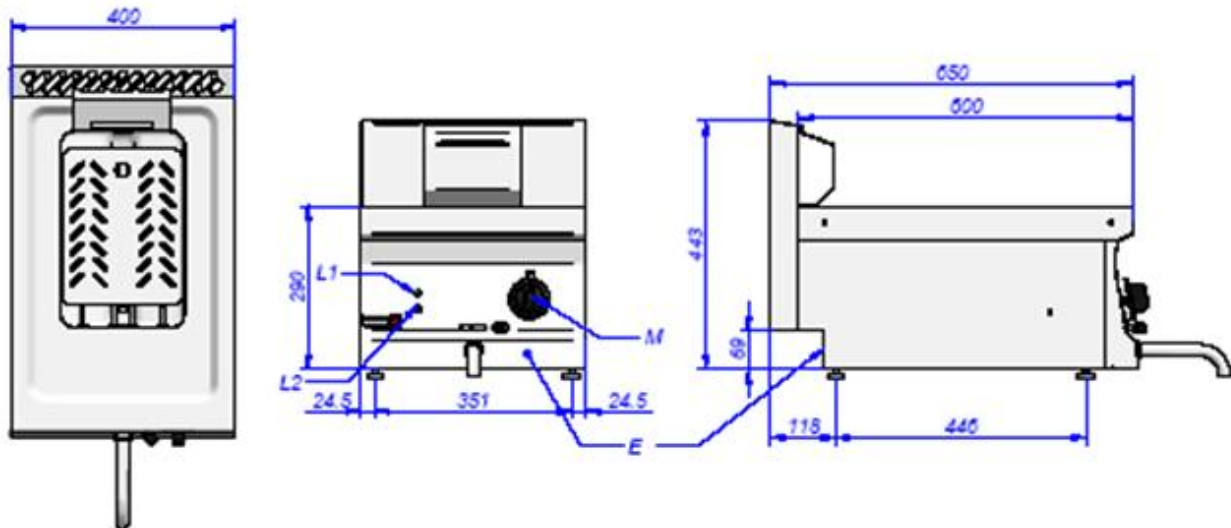
Capítulo
COOKING

Modelo
F-E6108 380-415V 3N 1C

19080734

02/12/2021

FE6-05



M: Mando del termostato
L1: Lámpara verde
L2: Lámpara ambar
E: Conexión eléctrica

M: Thermostat control
L1: Green light
L2: Amber light
E: Electrical connection