



**Catalogue**  
FOOD SERVICE  
**Chapter**  
COOKING

**Specific model**  
F-E6208 380-415V 3N 2C

19080735

02/12/2021

**DENOMINATION:**

Electric fryer, 2 tanks of 8 L, 600 range.

**DESCRIPTION :**

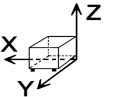
**FOOD SERVICE**

- "- Well stamped in stainless steel integrated into the stainless steel surface top.
- Thermostatic temperature control between 60 and 200 °C.
- Safety thermostat.
- Lever tap to empty the well located in the control panel.
- Basket dimensions: 200 x 250 x 100 mm.
- Built-in well cover.
- Controls with a protective support base and system to prevent water infiltration."
- Capacity: 2 barrel of 8 litres of oil.
- "- Swivelling heating element making it easier to clean inside the well."

**POSSIBLE ACCESSORIES :**

- STANDS 600
- SUPPORTS 600
- ACCESSORIES 600

**DIMENSIONS**



X Width	600 mm	X Gross width	655 mm
Y Depth	650 mm	Y Gross depth	720 mm
Z Height	445 mm	Z Gross height	600 mm
Net Weight	41,0 kg	Gross Weight	42,0 kg
Net volume	0,170 m3	Gross volume	0,283 m3

**ELECTRICITY TECHNICAL SPECIFICATIONS**

Electric power	12,000 kW
Amperage (A)	22 A
Heating power	12,00 kW
Voltage	380-415V - 3N
Electric frequency	50/60Hz

**CONNECTIONS TECHNICAL SPECIFICATIONS**

230 V three-phase wiring	3X16+T - 40 A
Single-phase 230V wiring	2X16+T - 80 A
Three-phase +N 400V wiring	4X2,66+T - 25 A



Catalogue  
**FOOD SERVICE**

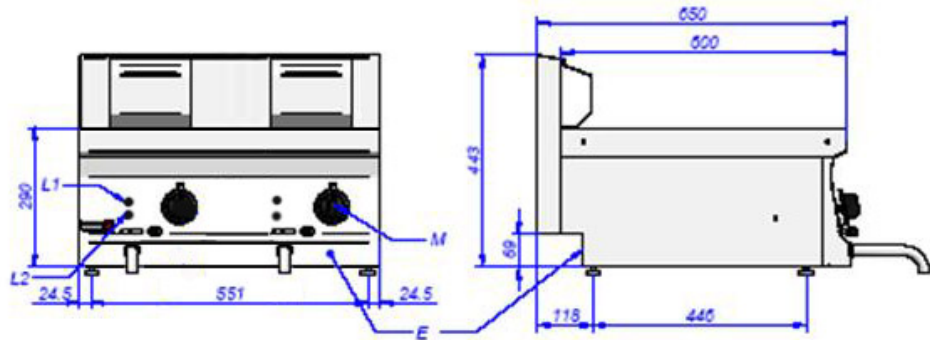
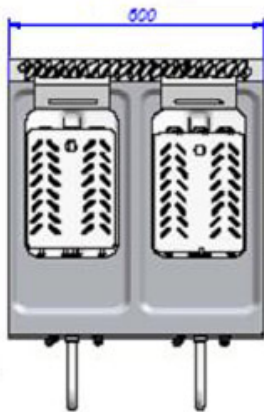
Capítulo  
**COOKING**

Modelo  
**F-E6208 380-415V 3N 2C**

19080735

02/12/2021

## FE6-10



M: Mando del termostato  
L1: Lámpara verde  
L2: Lámpara ambar  
E: Conexión eléctrica

M: Thermostat control  
L1: Green light  
L2: Amber light  
E: Electrical connection