

**SL 110
R290**



FROZEN DICE

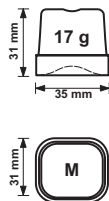


Self-contained ice maker - Spayer system
Daily production up to 47 kg

● Position n°



● Available dice size



● Application fields

Hotel	●●●●●●●●●●	Fish market	●●●●●●●●●●
Restaurant	●●●●●●●●●●	Supermarket	●●●●●●●●●●
Fast food	●●●●●●●●●●	SPA	●●●●●●●●●●
Bar	●●●●●●●●●●	Medical	●●●●●●●●●●
Disco	●●●●●●●●●●	Industry	●●●●●●●●●●

● Features & Plus

- Full cube, compact and crystalline
- External structure AISI 304 Scotch Brite
- Side grilles for better ventilation
- Removable side panels
- Electromechanical functioning
- Air Cooling and Water Cooling systems
- Standard and special voltages
- Insulated retractable door
- ON-OFF switch
- Cleaning system
- Internal bin insulation HCFC free
- Conformity to RoHS directive
- Easy cleaning thanks to rounded surfaces
- Model in Tropical Class + 43 ° C
- Adjustable Stainless Steel feet
- Undercounter model

● Prod. 24h

Air temp.	Water temp.	Prod. 24h kg
10° C	7° C	47
21° C	15° C	45
32° C	21° C	38

**2 Years
Warranty**

subject to limitations

● Certifications available for this model



www.ntfice.it
info@ntfice.it



ntfice.it



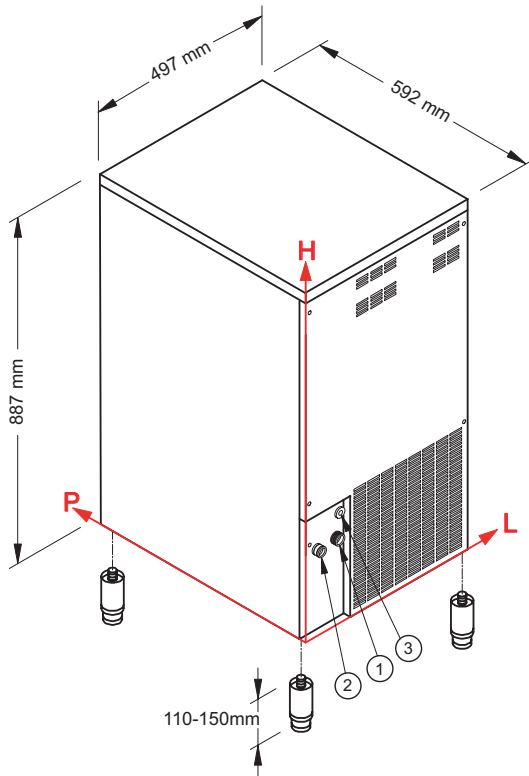
**SL 110
R290**



FROZEN DICE



Self-contained ice maker - Spayer system
Daily production up to 47 kg



• Connections

All measures are referred to the rear bottom-left corner (L-H-Ø)

- ① Water inlet:
129 mm - 132 mm - 3/4"
- ② Water outlet:
56 mm - 154 mm - 24 mm
- ③ Electrical connection:
94 mm - 202 mm

• Working conditions

- Location: Indoor

	Min	Max
Ambient temperature	+10° C	+43° C
Water temperature	+3° C	+32° C
Voltage	-10%	+10%
Water inlet pressure	1bar (14 psi)	6bar (84 psi)

• Technical information

Production in 24h	45 kg
Store capacity, up to	25 kg
Cooling system	A - W
Kind of cube	17 g
Refrigerant	R290
Standard voltage	220-240 V ~ 50 Hz
Electrical consumption	460 W
Fuse	10 A
Water consumption	A: 4 l/kg W: 15 l/kg
Sizes (L-P-H mm)	497 - 592 - 887
Sizes with pack (L-P-H mm)	550 - 660 - 1060
Net weight	55 kg
Gross weight	64 kg
Finish	AISI 304 stainless steel, scotch brite

All the technical information must be considered at the following conditions:

Sizes without feet	Standard Cube (17 g)	Ambient temperature +21° C	Water temperature +15° C	Electrical consumption at +43° C (standard voltage)

Models and specifications are subject to change without notice
Rev. 01 - Issued September 2019



www.ntfice.it
info@ntfice.it



ntfice.it

